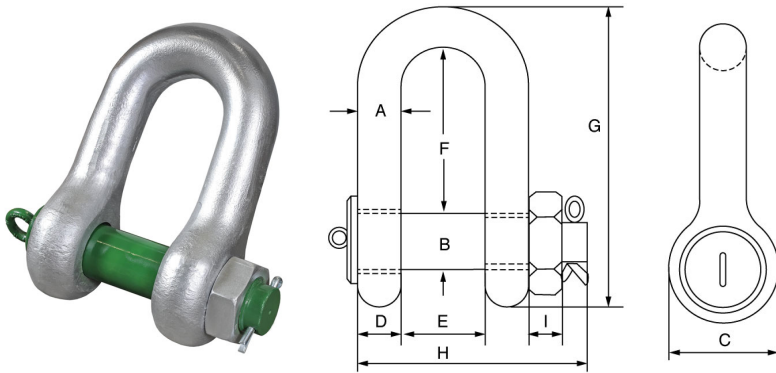




## Green Pin® Heavy Duty Dee Shackle with Safety Nut and Bolt Pin – GPHDD



- Grade 8 alloy steel body and pin, quenched and tempered.
- Hot dipped galvanised finish.
- Conforms to ASME B30.26.
- Minimum breaking load is 5 times the W.L.L.
- Temperature range -20°C up to +200°C.
- Marked with CE, W.L.L, material grade, manufacturers ID, size and traceability code.
- Full CAD support available upon request.
- Certification available **2.1** **3.1** **DoC** **MPI** **US**

## G-6038

Product Code	W.L.L.	A	B	C	D	E	F	G	H	I	Weight	Technical Specification
	t	mm	mm	mm	mm	mm	mm	mm	mm	mm	kgs	
GPHDD120	120	95	95	208	95	147	274	521	453	50	110	<a href="#">Download</a>

